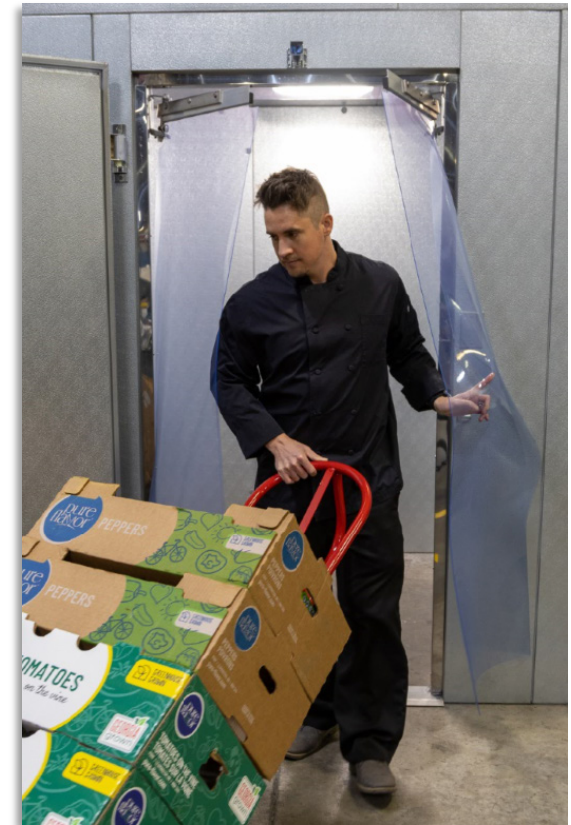
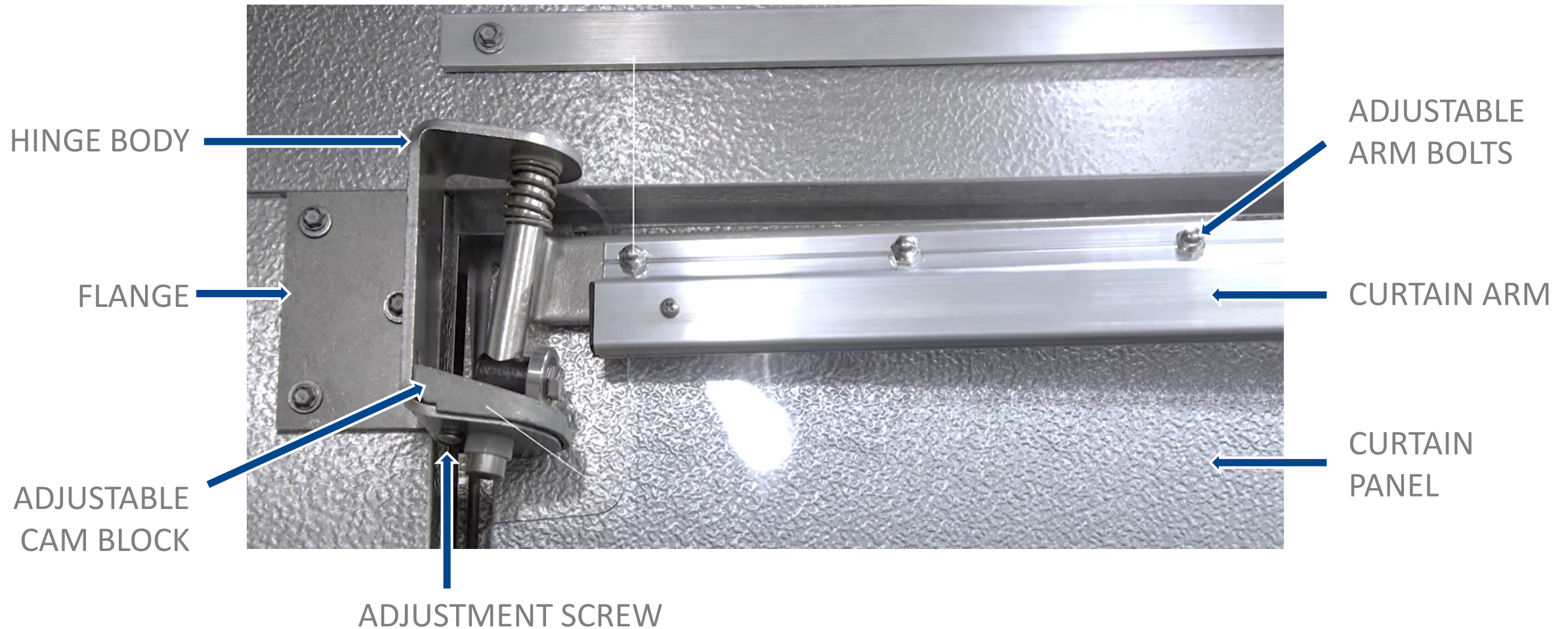


Thermal Flex® Vinyl Swing Doors

Part Number Reference and Ordering Guide



Swing Door Hinge Parts (side mount hinge shown)



Single Panel Swing Door



Double Panel Swing Doors



KTNS

Side Mount



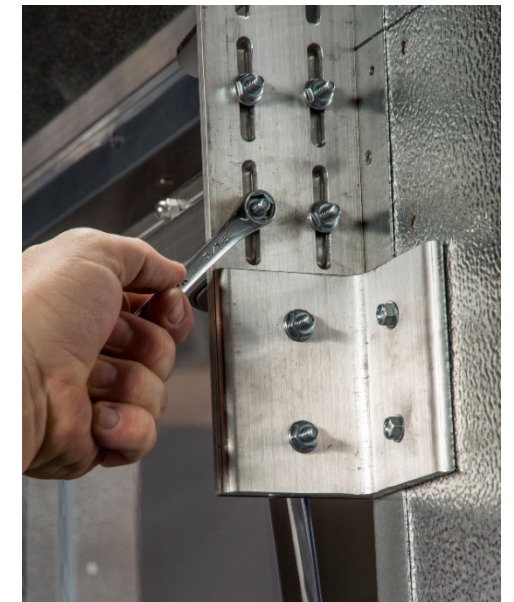
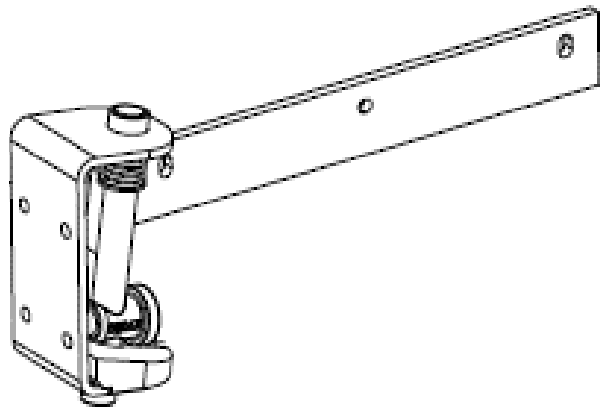
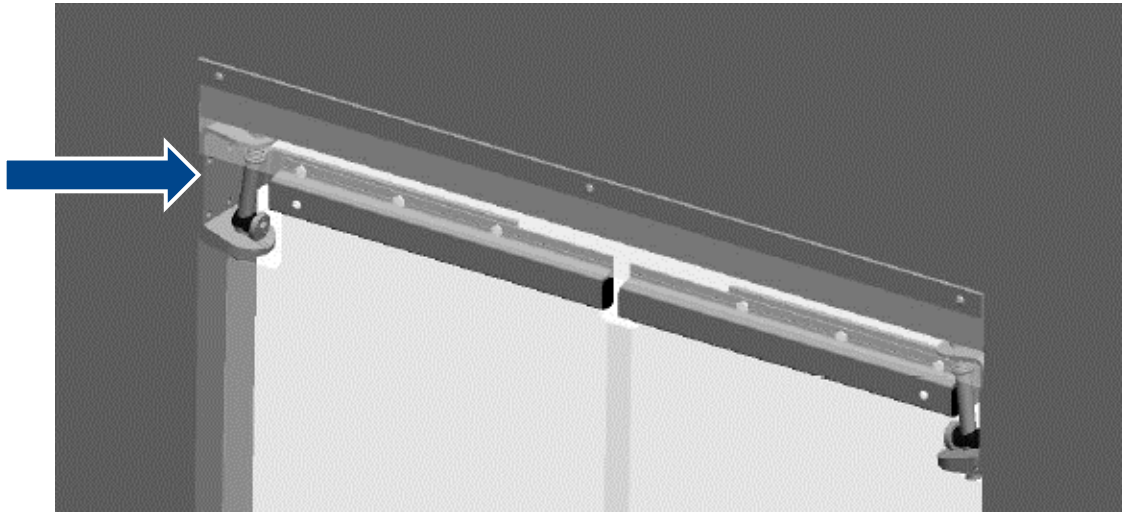
KTTM

Top Mount



KTSK

Inside Jamb Mount (No Flange)

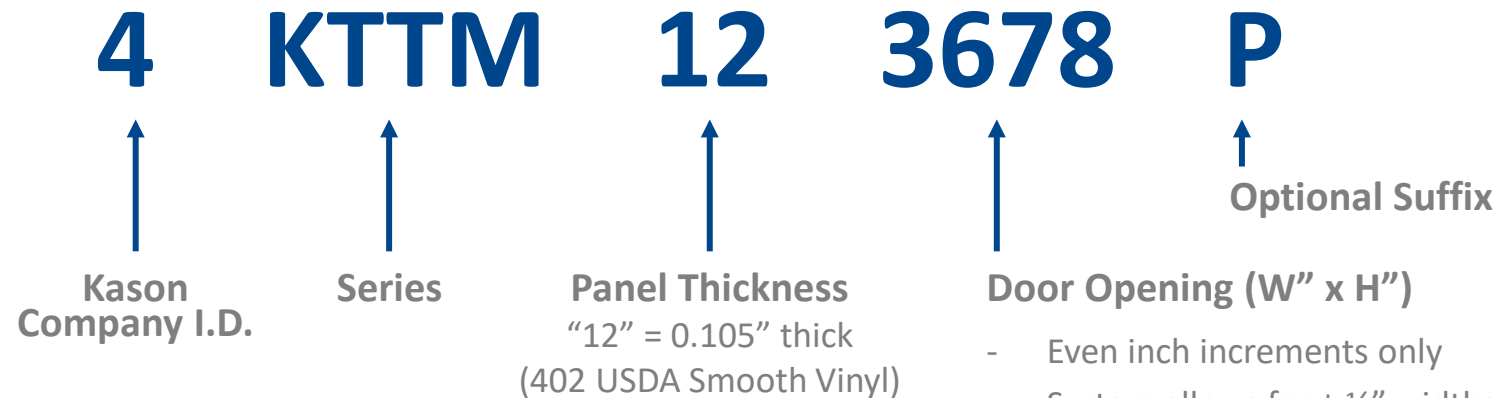


Primarily used with Heavy-duty Retrofit Kit

PN: 4KTSK000178

Part Numbering Scheme

Top Mount Thermal Flex Swing Door 36" x 78" with Kick Panel



- Even inch increments only
- System allows for $\pm \frac{1}{2}$ " widths
- Extra length allows trimming for uneven floors or slightly longer openings

MAXIMUM DOOR WIDTHS

- Single Panel = 36" wide
- Dual Panels = 72" wide

OPTIONAL SUFFIX CODES

- **P** – Kick Panel mounted 4" from bottom (Standard)
- **H** – Kick Panel mounted 10" from bottom
- **RS** – Right Side single swing door
- **LS** – Left Side single swing door
- **MC** – Push Panel for latch ISR (0057 Latch)
- **R** – Include Retrofit Kit with door (KTSK only)

Part Number Examples (Top 10 Items)

PART NUMBER	DESCRIPTION
4KTNS123678	Thermal Flex Swing Door 36" x 78"
4KTNS123479	Thermal Flex Swing Door 34" x 79"
4KTNS125279	Thermal Flex Swing Door 52" x 79"
4KTNS123680	Thermal Flex Swing Door 36" x 80"
4KTNS123478	Thermal Flex Swing Door 34" x 78"
4KTNS123684	Thermal Flex Swing Door 36" x 84"
4KTNS127296	Thermal Flex Swing Door 72" x 96"
4KTNS127284	Thermal Flex Swing Door 72" x 84"
4KTNS123676	Thermal Flex Swing Door 36" x 76"
4KTTM123678P	Thermal Flex Top Mount Swing Door 36" x 78" w/ Kick Panel



Single Panel Option

(View from inside walk-in)

- Specify "RS"
Right Side Hinge Mount
- Specify "LS"
Left Side Hinge Mount

Latch Push Panel Option

- Specify "MC"
- Centerline = 39.5"
from bottom of panel

Kick Panel Option

- Specify "P" for std 4" from bottom
- Specify "H" for 10" from bottom
- 36" high, ABS black panel
attached with brass barrel nuts

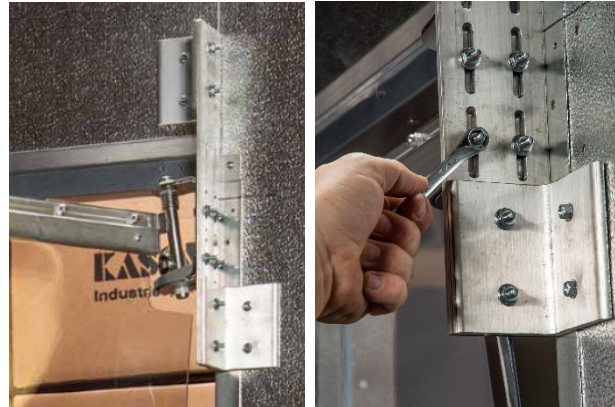


Retrofit Kits (optional)

Required when interior wall supports/backer boards are not present

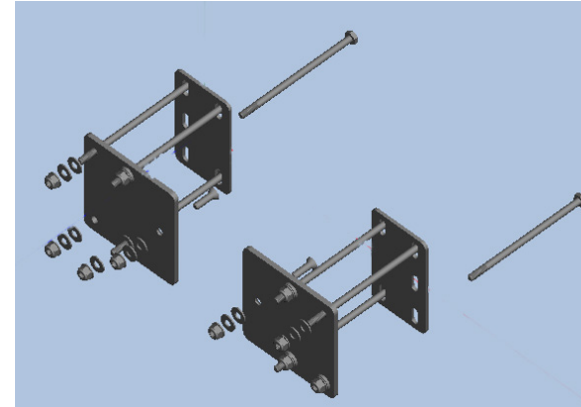
4KTSK000178

Heavy-Duty Mounting Kit
(KTSK hinges only)
Includes rivet nuts and tool



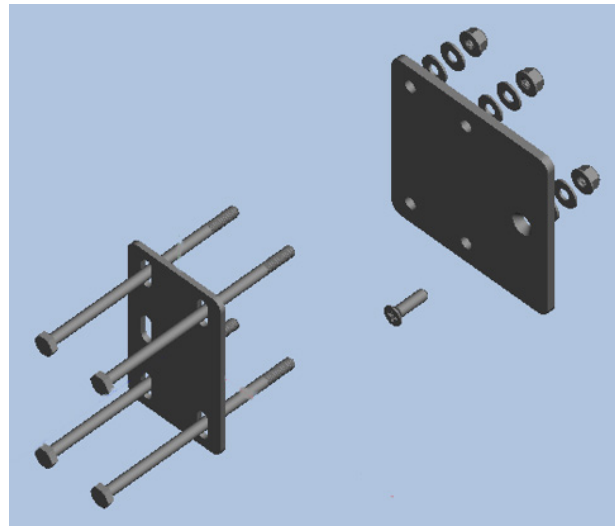
4KTNS000180

Double Panel Side Mounting Kit
4" Wall Through-Bolt Kit



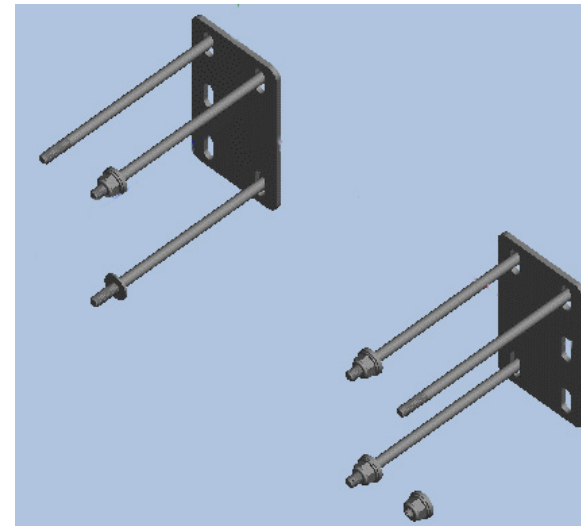
4KTNS000181

Single Panel Mounting Kit
4" Wall Through-Bolt Kit



4KTTM000180

Double Panel Top Mounting Kit
4" Wall Through-Bolt Kit





Click the image or [HERE](#) to watch the video.

Contact our Customer Service Team
to place your order today!

Thank You

1.800.935.2766 | info@kasonind.com | kasonind.com

Follow us @kasonindustries



Vinyl Swing Door Ordering Sheet

Complete the following information for each door system and call 1.800.935.2766 to place your order.

IMPORTANT: Right/left door opening is determined from inside of the walk-in. Order Left Hand Single Panel Door if walk-in door hinges are on the left. Single panel swing doors are typically installed on the same side as the exterior door's hinges.

Which Swing Door System Do You Need?

_____ Single Panel — Top Mount Hinge

RIGHT/LEFT side door opening? _____

_____ Single Panel — Side Mount Hinge

RIGHT/LEFT side door opening? _____

_____ Single Panel — KTMS Inside Jamb

RIGHT/LEFT side door opening? _____

_____ Double Panel — Top Mount Hinge

_____ Double Panel — Side Mount Hinge

Door Opening Size

Width _____ Height _____ (nearest whole in/cm)

Application: _____

Temperature range: _____

Optional Products

- Heavy-Duty Door Mounting Kit (QTY): _____
 - Retrofit Through-Bolt Kit (QTY): _____
 - Kick/Impact Plates (Y/N): _____
 - Brace Plates (Y/N): _____
-

Returns and Cancellation Policy

Returns must be preauthorized by Kason. Approved returns are subject to restocking fee. Custom sizes/orders are nonreturnable and may not be canceled. Kason is glad to assist you in identifying and ordering the correct Vinyl System for your application, but the buyer assumes all the suitability for application of the products of which they are purchasing.